



Gamma Extend

Josep Patsi

Reading lights Gamma Extend LED 3.2 LED warm-white 2700K ON-OFF White 137lm

Technical features

Luminaire total power: 3.2W

Real lumens: 137

Real lm/W: 43

Correlated Colour Temperature (CCT): LED warm-white 2700K

Lens / reflector angle: MEDIUM 31°

UGR: <=16

Structure material: Aluminium

Structure finish: White

Driver Brand: HEP

Voltage / frequency: 100-277V/50-60Hz

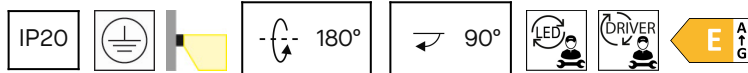
Dimming protocol: ON-OFF

Power Factor: 0.60

Useful life: 50,000h L80B20

Warranty: 5 años

Easily recyclable luminaire



Luminotechnic features

CRI: 90

MacAdam steps: 3

Photobiological risk: RG2

UGR crosswise: 14.3

UGR lengthwise: 14.2

Lampholder	Quantity	Light source power (W)
LED	1	2.1W

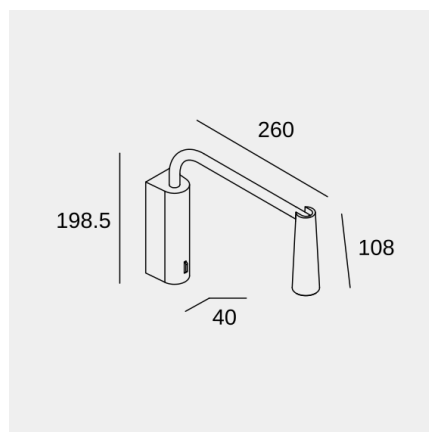
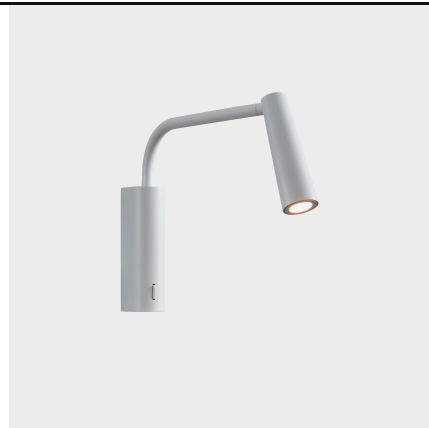


Image may not match reference. LedsC4 reserves the right to amend any of the product's components. The data related to flux, power and colour temperature may be subject to changes made by the manufacturer.



Gamma Extend

Josep Patsi

Reading lights Gamma Extend LED 3.2 LED warm-white 2700K ON-OFF White 137lm

Logistics



x 8

Net weight (kg): 0.53

Packaged weight (kg): 0.88

Packaging: 250mm x 80mm x 310mm

Image may not match reference. LedsC4 reserves the right to amend any of the product's components. The data related to flux, power and colour temperature may be subject to changes made by the manufacturer.