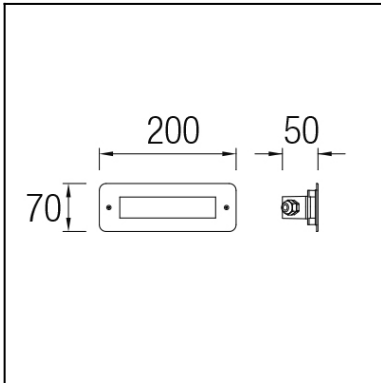


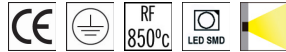


The photograph may not match the reference exactly. Please read the product description to identify the finish.



TECHNICAL CHARACTERISTICS

Type:	WALL RECESSED
IP Protection degrees:	IP65
IK Protection degrees:	IK10
Light source 1:	16 x LED 2.2W Neutral white - 4000K 291 lm ^(N) CRI 80
Total power consumption (W):	3.7W
Voltage / Frequency:	110-240V/50-60Hz
Warranty (Years):	2
Option to extend the guarantee (Years):	5
Units per box:	8
Net Weight (Kg):	0.43
EAN:	8435381425920



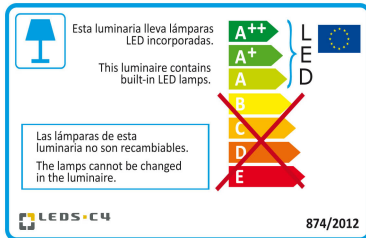
MATERIALS / FINISHES

Structure material:	Stainless steel AISI316	Diffuser material:	Polycarbonate
Structure finish:	Polished	Diffuser finish:	Prismatic

GEAR

Multi-voltage electronic gear included (100-240V / 50-60Hz)

[Download photometric file .ldt / .ies](#)

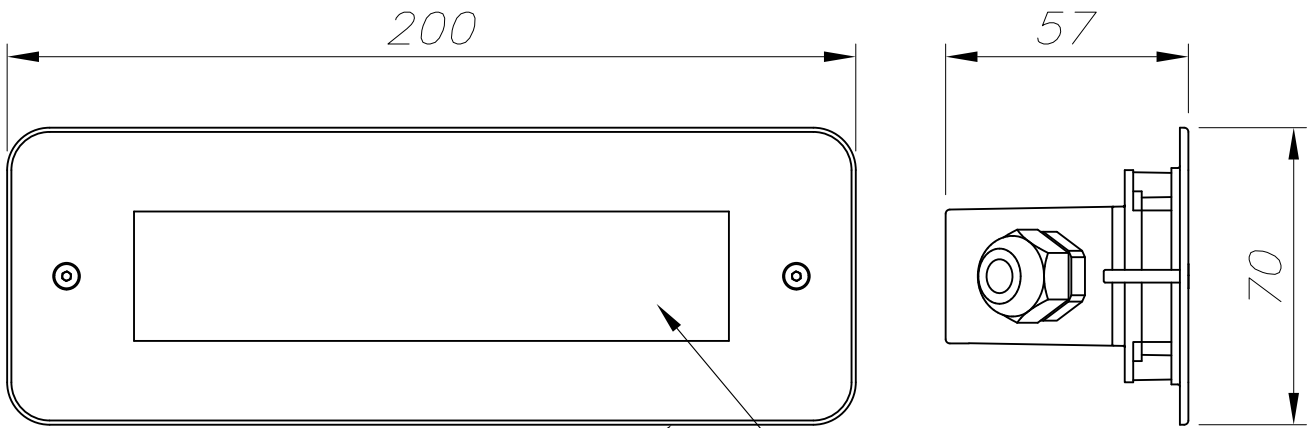


Click on image to download energy label

Lm^(N): Nominal flow of light in actual working conditions. Its actual flow will depend on the environmental conditions and the efficiency of the optics and/or diffuser.

LEDS-C4 reserves the right to make the necessary technical changes they deem adequate, in order to improve the features of the product.

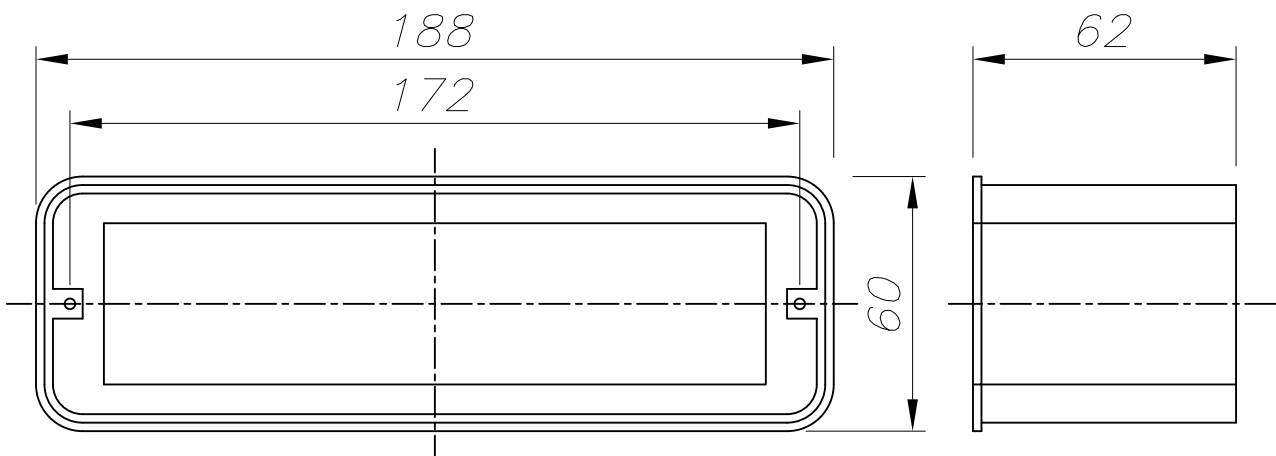
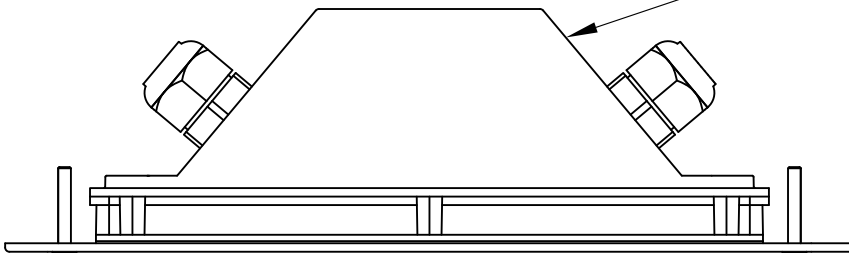
Please consult the sales team to clarify any doubt.



ACERO INOXIDABLE AISI 316
STAINLESS STEEL AISI 316

PC TRANSPARENTE
TRANSPARENT PC

ALUMINIO DE ALTA PUREZA
HIGH QUALITY ALUMINIUM



CAJA DE EMPOTRAR
FLUSH FITTING BOX

