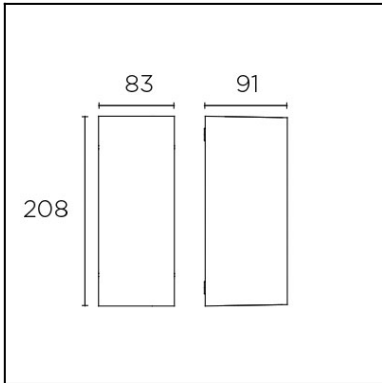


OUT 

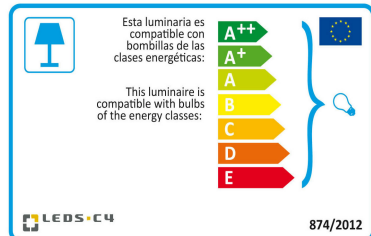
**AFRODITA**  
**05-9919-34-37**



The photograph may not match the reference exactly. Please read the product description to identify the finish.



Download photometric file .ldt /.ies



Click on image to download energy label

#### TECHNICAL CHARACTERISTICS

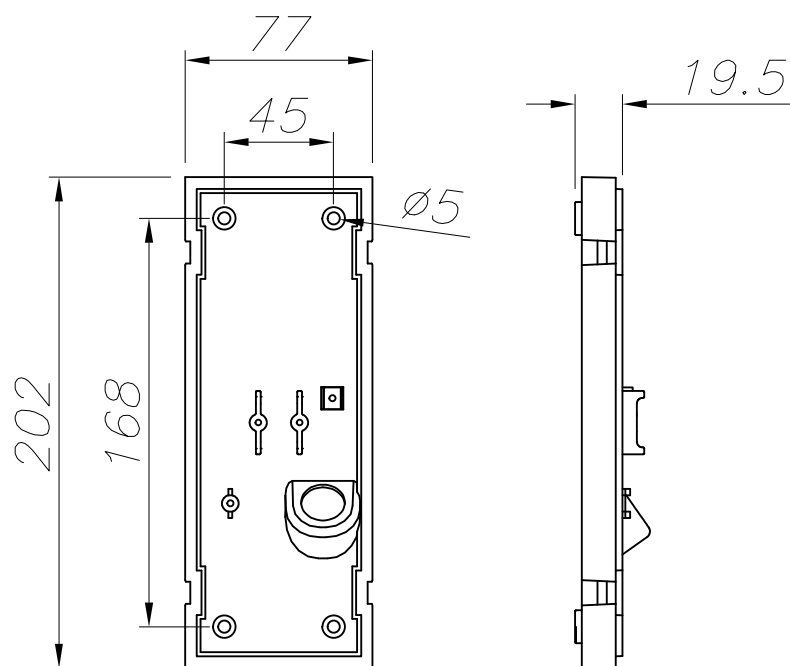
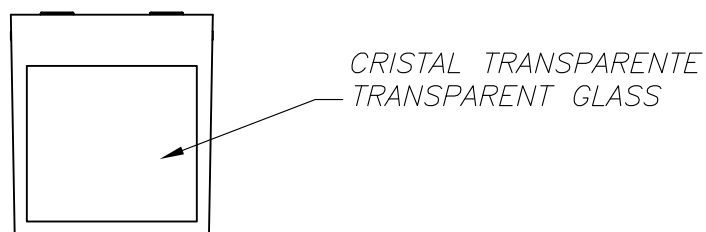
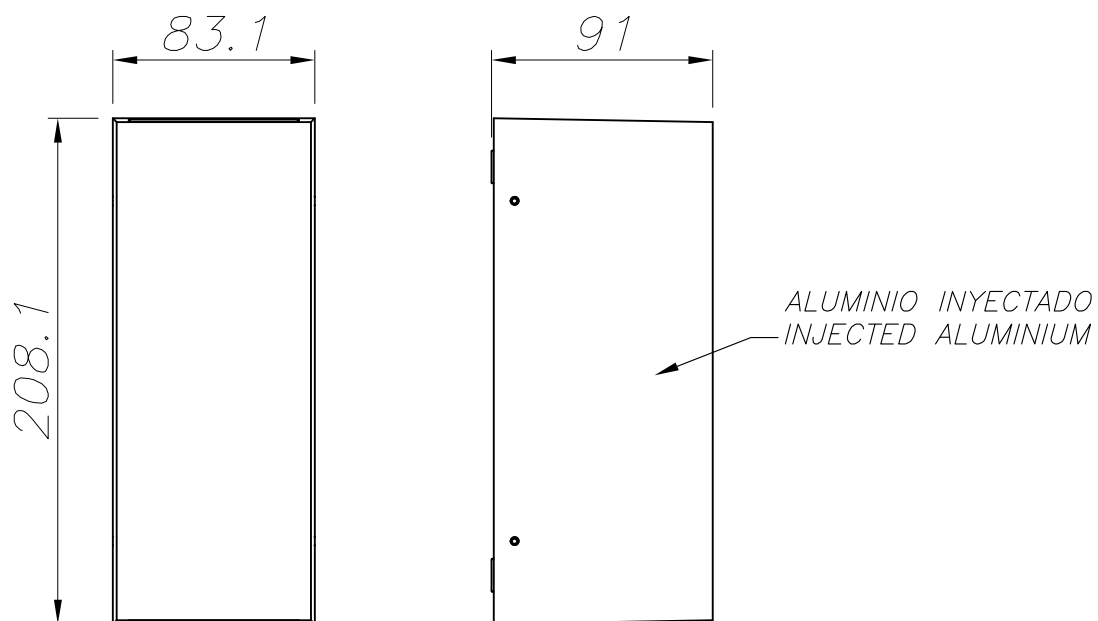
Type:	Wall fixture
IP Protection degrees:	IP65
Light source 1: Bulb specified at the product label	2 x GU10 MAX 35W
Voltage / Frequency:	220-240V/50-60Hz
Warranty:	2
Units per box:	8
Net Weight (Kg):	0.958
EAN Code:	8435381458515



#### MATERIALS / FINISHES

**Structure material:** Aluminium  
**Structure finish:** Grey

**Diffuser material:** Glass  
**Diffuser finish:** Transparent



PLANTILLA DE INSTALACIÓN  
INSTALLATION TEMPLATE

