

Thank you for purchasing this light fitting. Please read the instructions carefully before use to ensure safe and satisfactory operation of this product. Please retain these instructions for future reference.

Warning:



This unit is Safety Extra Low Voltage and must not be earthed.

Please read these instructions carefully before commencing any work.

This unit must be fitted by a competent and qualified electrician.

Install in accordance with IEE Wiring regulations and current Building Regulations.

This system operates at Safety Extra Low Voltage (12V), via a transformer. Never connect the light fittings directly to the mains without using a transformer.

Always unplug the transformer from the mains when installing or maintaining this system.

Only use the correct type and wattage bulb.

When changing a bulb, always switch off at the mains and allow the old bulb to cool down before handling.

Dispose of used bulbs carefully and responsibly.

This product can be dimmed using a compatible dimmer and transformer.

Waste electrical products should not be disposed of with household waste. Please recycle where facilities exist.

Check with your local authority or retailer for recycling advice.

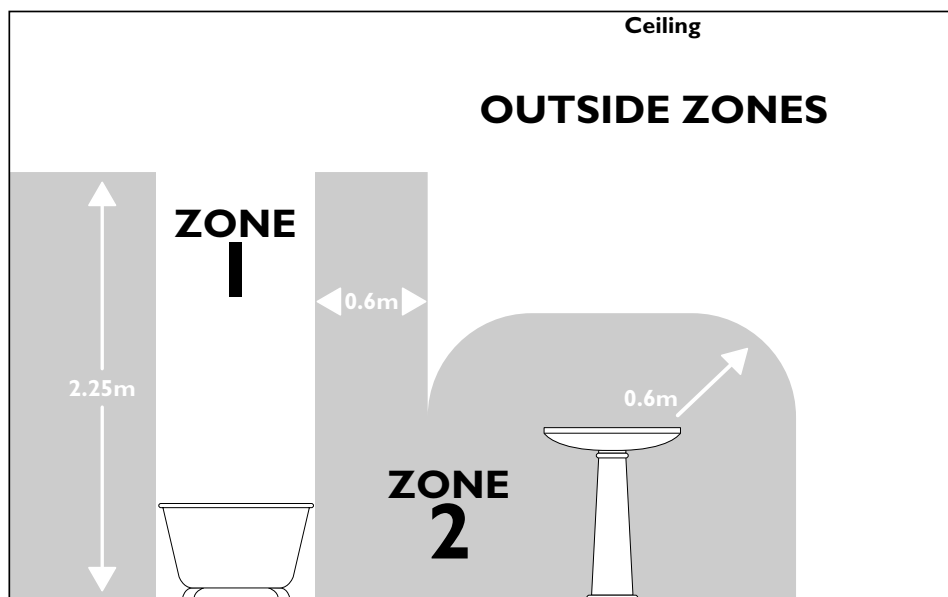


Fitting marked with this symbol are not suitable for mounting on flammable surfaces (e.g. polystyrene, ceiling tiles, and wood based materials).

Location:

This product has special protection against the ingress of moisture and is IP65 rated.

This product is suitable for use in Zone 1, Zone 2 and outside Zones of a bathroom. See diagram.



Layout:

- Plan the desired layout of these fittings carefully, ensuring the cables will reach the distances between the transformer and each light fitting.
- Ensure that there is adequate ventilation for the transformer.
- Cables that are to be in walls must be protected using suitable conduit or plastic trunking.

Installation:

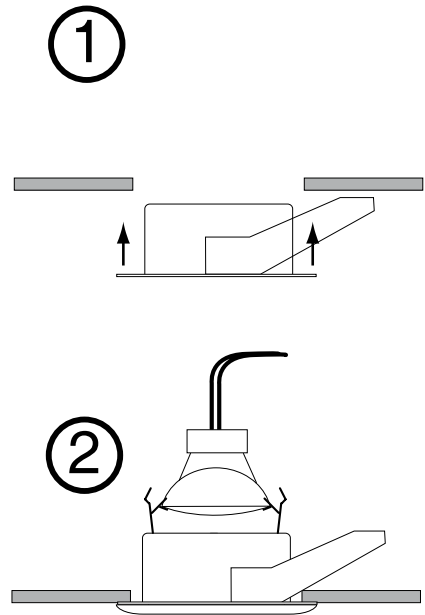
1. Position the transformer next to the mains outlet that the system will connect to. Do not connect at this stage.
2. Decide the layout of the light fitting(s) and ensure that the cables are long enough. The distance between units must be 0.3m
3. Cut a 70mm diameter hole using an appropriate tool. Ensure that the void depth is a minimum of 95mm. All measurements are based on a ceiling with a 12mm thickness. If your ceiling thickness is less than 12mm, deduct approximately 5mm from the ceiling diameter shown above. If the ceiling is thicker than 12mm, gradually increase the hole until a snug fit is achieved. It is recommended cutting the hole slightly smaller than needed, then file the hole until the recessed unit fits snugly.
4. Ensure free movement of air by removing void insulation from at least 100mm from around the hole.

Wiring:

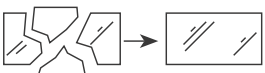
5. Draw the cable through the hole in the ceiling. Use minimum 1.0mm² core cable.
6. Connect the wires to the terminal block observing the polarity.
7. Fit bulb into unit by locating pins in holes and pushing home.
8. Replace the circuit fuse and switch on the mains to test.

Fitting:

9. The ceiling surface must be flat and smooth to ensure a good moisture proof seal.
10. Fit the back part of the unit by pushing and twisting until the spring clips are in place. See diagram 1.
11. Attach the lampholder cable to the lamp pins. Push up until the unit has clipped into position. See diagram 2.
12. To remove the unit, pull firmly down.



Safety Information:

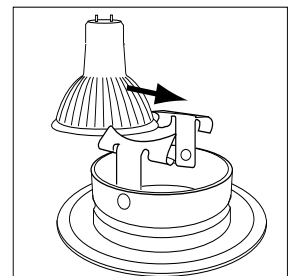
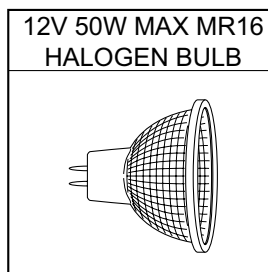


The glass shade must be replaced immediately should the glass shade become cracked or damaged. This fitting must not be used without the glass shade in place.

Fitting / Replacing Bulbs

When changing a bulb, always switch off at the mains and allow the bulb to cool before handling. Dispose of used bulbs carefully. Use a soft cloth to handle bulbs, avoid directly touching the bulbs as this will shorten their life. Do not exceed the wattage stated or use a different shape bulb from that indicated on the fitting.

Slide the bulb into the raised clips, as shown.



Care and Cleaning:

Finish - Clean with a soft dry cloth. Do not use abrasive materials as these will damage the finish.

Glass - Clean with a damp cloth. Do not use abrasive materials as these will damage the finish.

Safety Information:

For your safety, always switch off the supply before changing lightbulbs, cleaning or removing shades.



Saxby Lighting Ltd. NW10 7UL