

FIG-1
HT-1M/HT-2M/HT-3M

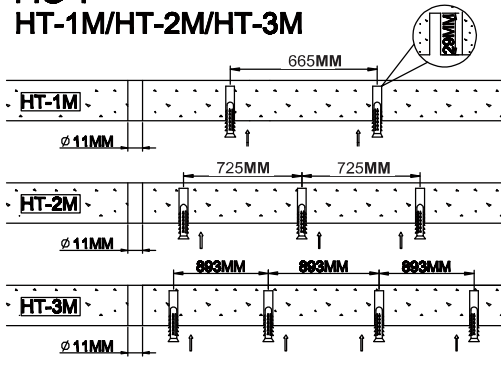


FIG-2

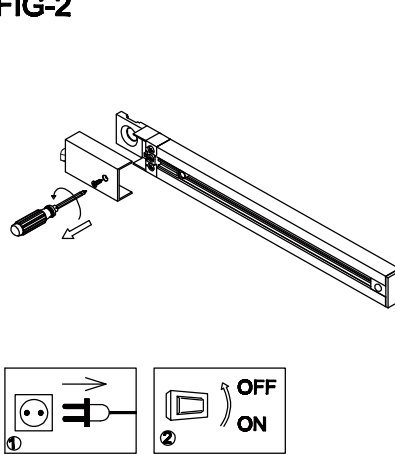


FIG-3

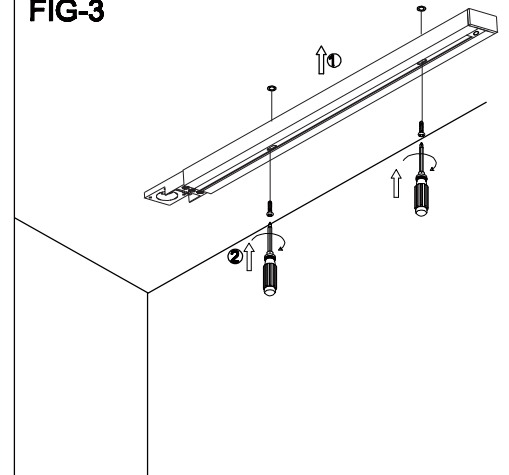


FIG-4

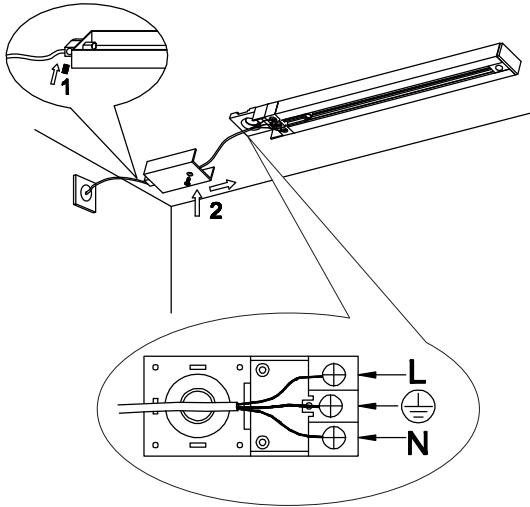
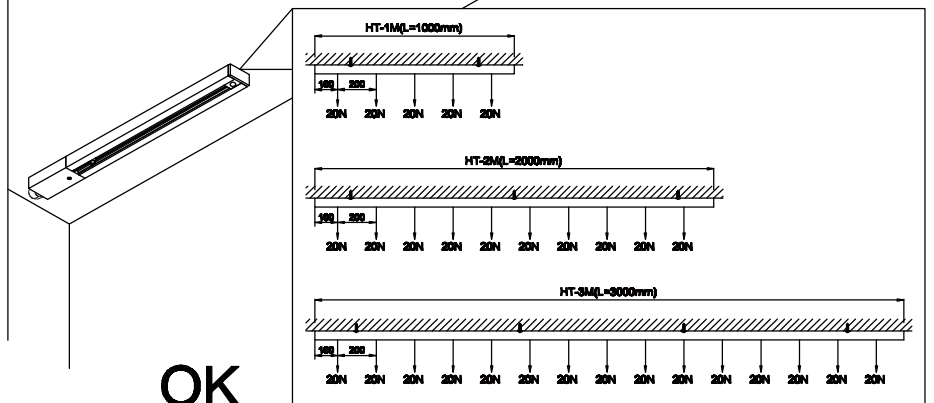


FIG-5



OK

MAX LOAD FOR 1 METER RAIL: 13 KG



LINKSYSTEM
1 METER RAIL