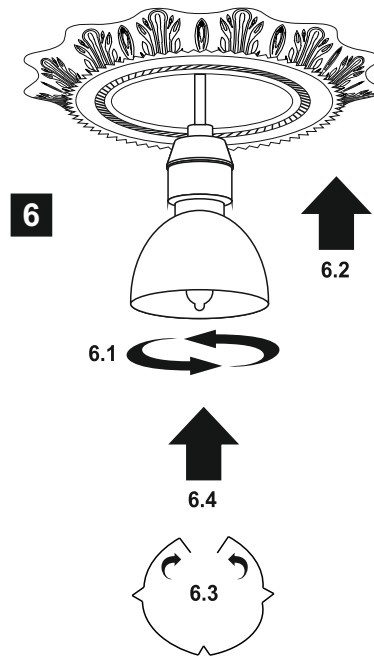
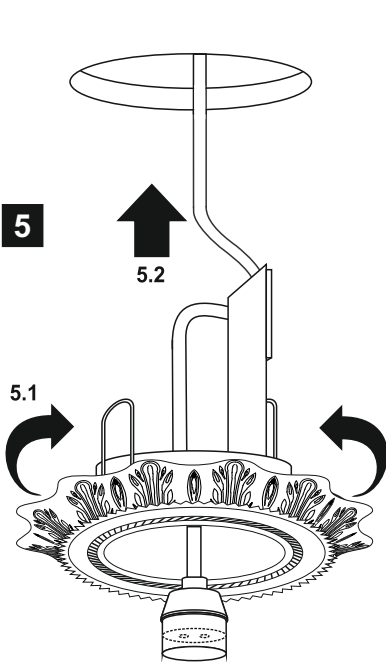
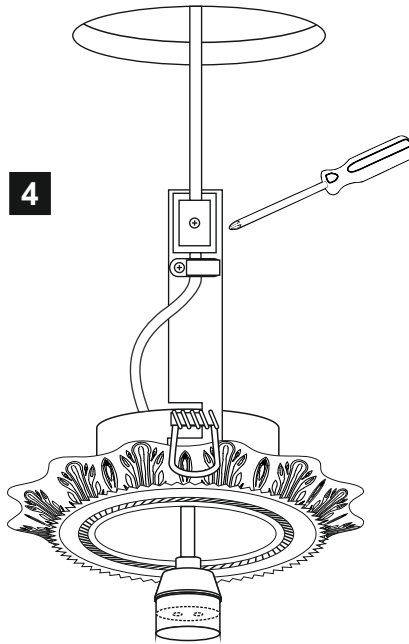
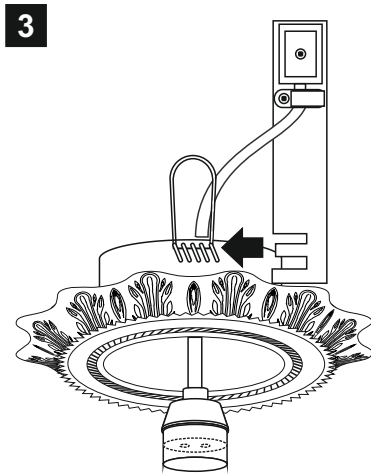
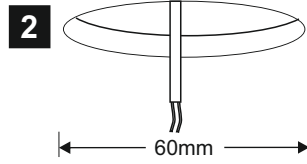
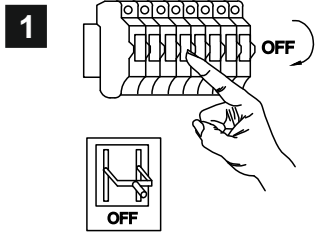


INSTALLATION INSTRUCTIONS

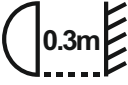
(ILLUSTRATIONS ARE FOR GUIDANCE PURPOSES ONLY.
ACTUAL PRODUCT MAY DIFFER FROM THE IMAGES SHOWN)

PLEASE RETAIN THESE INSTRUCTIONS FOR FUTURE REFERENCE.

- ⚠ (1) Prior to installation carefully unpack and check all the components and accessories are as per details enclosed.
- (2) These instructions should be used in conjunction with the installation guidelines included.



⚠ WARNING

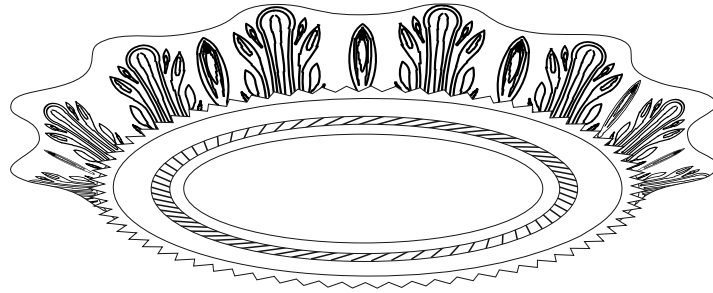
- (1) This unit must be fitted by a competent and qualified electrician.
- (2) Install in accordance with current IEE Wiring regulations and current Building Regulations.
- (3) To prevent electrocution switch off at mains supply before installing or maintaining this fitting and ensure the power cannot be restored without your knowledge.
- (4) Always use the correct type and wattage bulb. Never exceed the wattage stated.
- (5) When changing a bulb, always switch off at the mains and allow the old bulb to cool down before handling. Dispose of used bulbs carefully and responsibly.
- (6) Please ensure there is a minimum 20mm ventilation space above the lamp.
- (7) Waste electrical products should not be disposed of with household waste. Please recycle where facilities exist.
- (8) Check with your local authority or retailer for recycling advice.
- (9) The fixture/lamp should NOT be covered with insulating material.
- (10) If using Halogen lamps they should be a minimum distance of 30cm from the illuminated surface. 

INSTALLATION

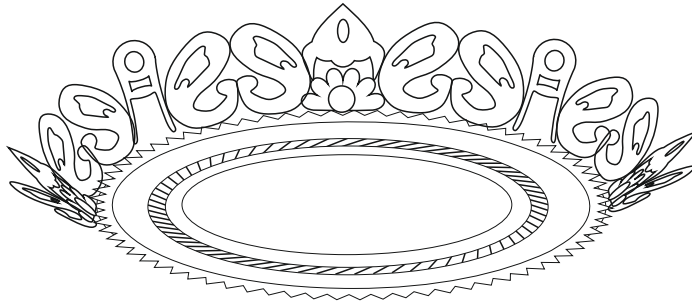
- (1) Switch off power.
- (2) Cut a hole in the ceiling 60mm in diameter.
- (3) Attach the lampholder/wire assembly to the side of the fitting by sliding the middle fork through the centre of the spring.
- (4) Push the securing side back and slide the crystal fascia over the retaining ring.
- (5) Connect the lampholder/wire assembly to the power supply via connector block (*This item is a double insulated product and does not require an earth*).
- (6) Push the securing side springs back and insert the fitting into the hole.
- (7) Put the lamp into the lampholder and secure using the spring.

Aspen - IL30845AB / 46 / 47

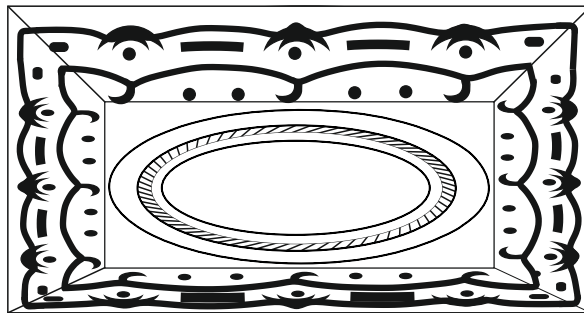
diyas®



IL30845AB



IL30846AB



IL30847AB

Aspen - IL30845AB / 46 / 47

diyas[®]