

**Function description**

Bright individual. Sensor-switched outdoor light ideal for building fronts and building entrances, 240° angle of coverage, reach up to 12 m, selectable time and twilight threshold, basic light-level function.

**Technical specifications**

Dimensions (L x W x H)	257 x 215 x 330 mm
With lamp	No
Manufacturer's Warranty	3 years
Settings via	Potentiometers
With remote control	No
Version	white
PU1, EAN	4007841657413
Application, place	Outdoors
Application, room	outdoors, front door, all round the building, terrace / balcony, courtyard & driveway
Installation site	wall
Impact resistance	IK03
IP-rating	IP44
Protection class	II
Ambient temperature	-20 – 50 °C
Housing material	Plastic
Cover material	Glass transparent

Angle of aperture	120 °
Sneak-by guard	Yes
Capability of masking out individual segments	Yes
Electronic scalability	No
Mechanical scalability	No
Reach, radial	r = 5 m (52 m <sup>2</sup> )
Reach, tangential	r = 12 m (302 m <sup>2</sup> )
Photo-cell controller	Yes
Cover material	shrouds
Lamp	All-purpose lamp
Base	E27
Soft light start	Yes
Continuous light	selectable, 4h
Twilight setting	2 – 1000 lx
Time setting	5 s – 15 Min.
Basic light level function	Yes
Interconnection	No

### Technical specifications

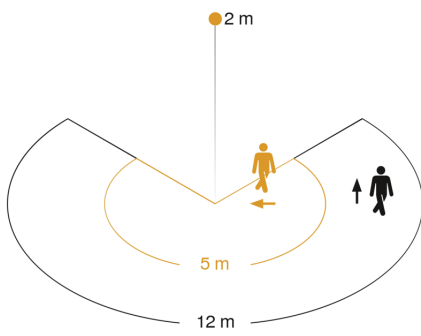
Mains power supply	230 – 240 V / 50 – 60 Hz	Basic light level function in per cent	10 – 50 %
Output	60 W	Basic light level function percentage, from	10 %
Power consumption	0,7 W	Basic light level function percentage, up to	50 %
Mounting height max.	6,00 m	Optimum mounting height	2 m
Slave modeselectable	No		

### Accessories

EAN 4007841 001681

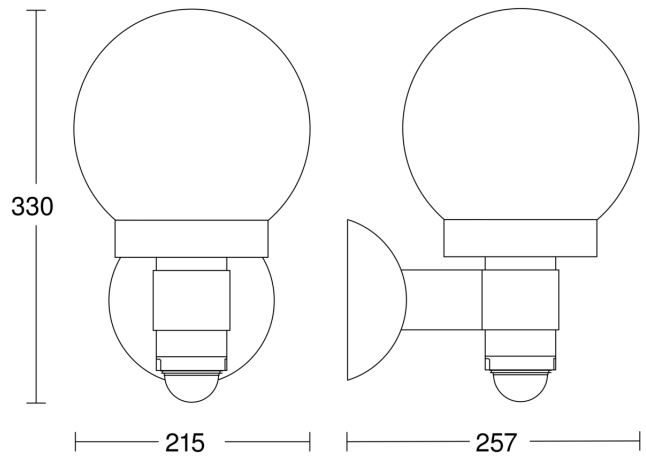
Replacement glass shade for L 115 S

**Detection Zone**



Mögliche Montagehöhe: 1,80 m – 6,00 m  
Orange: radial  
Schwarz: tangential

**Dimension Drawing**



**Circuit diagram**

